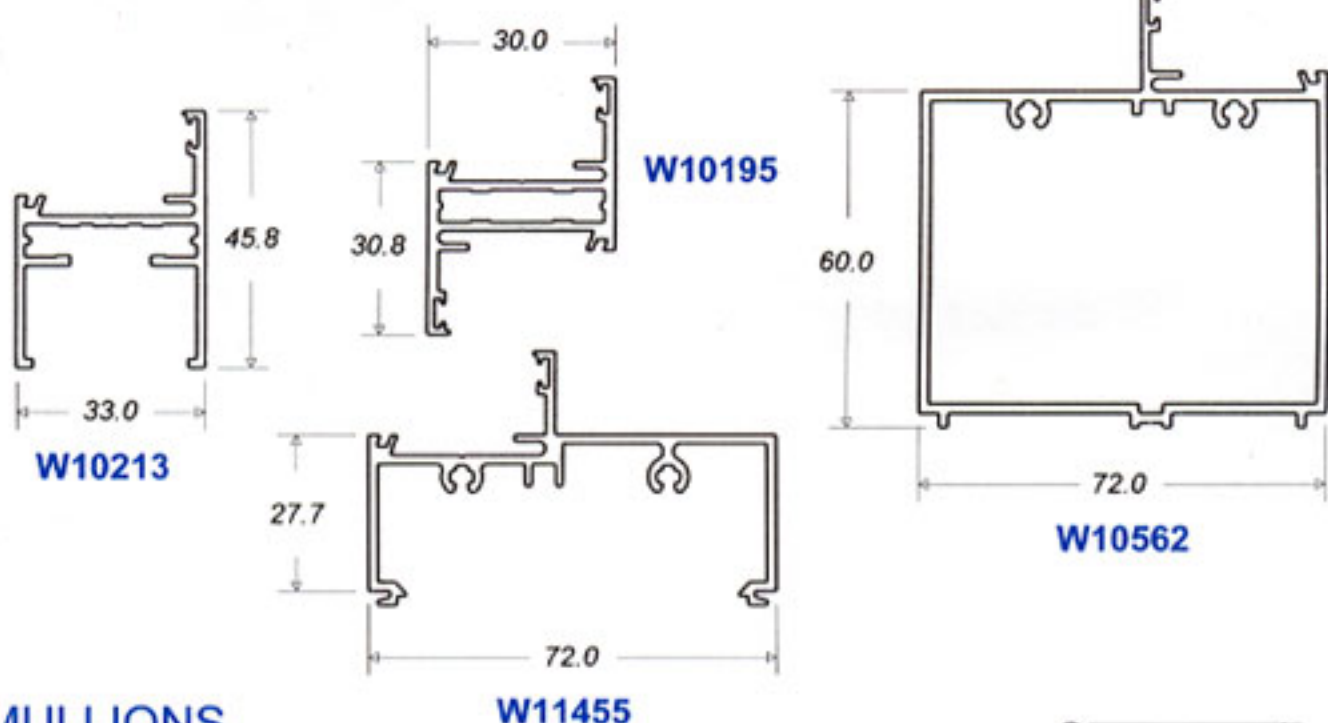
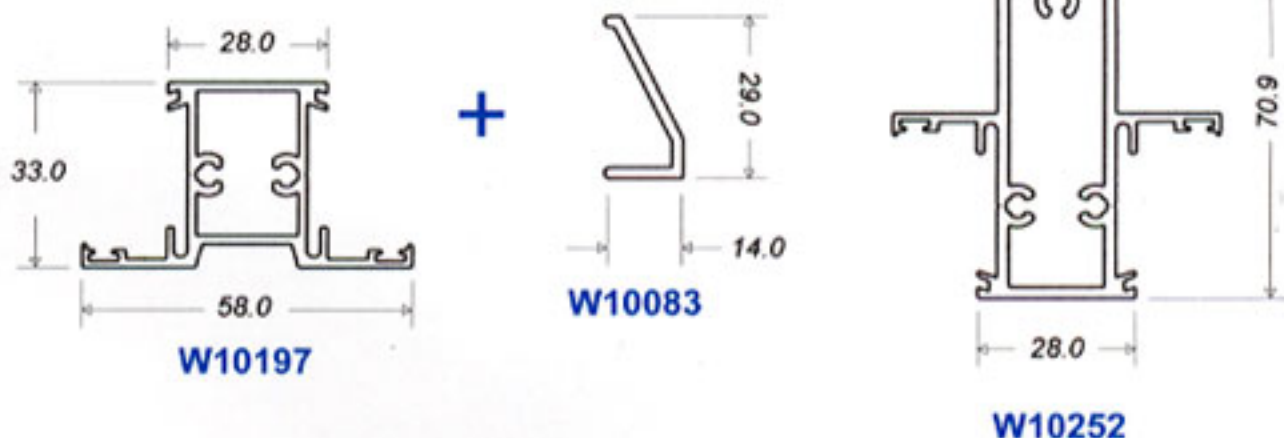


Caseмент 340

OUTER FRAMES & SASH

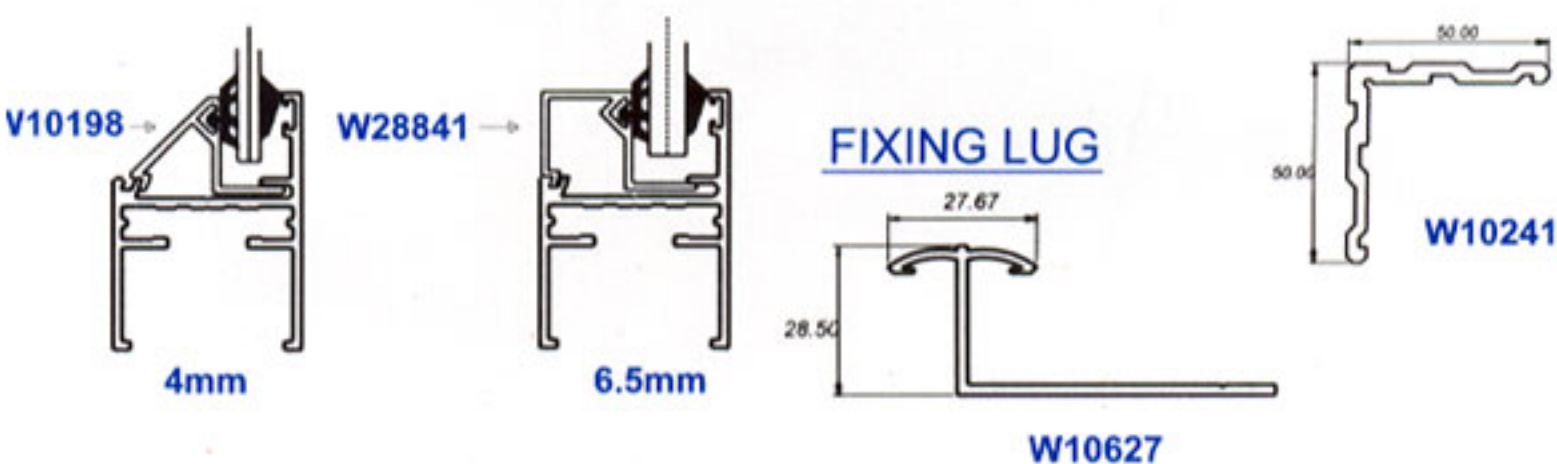


MULLIONS

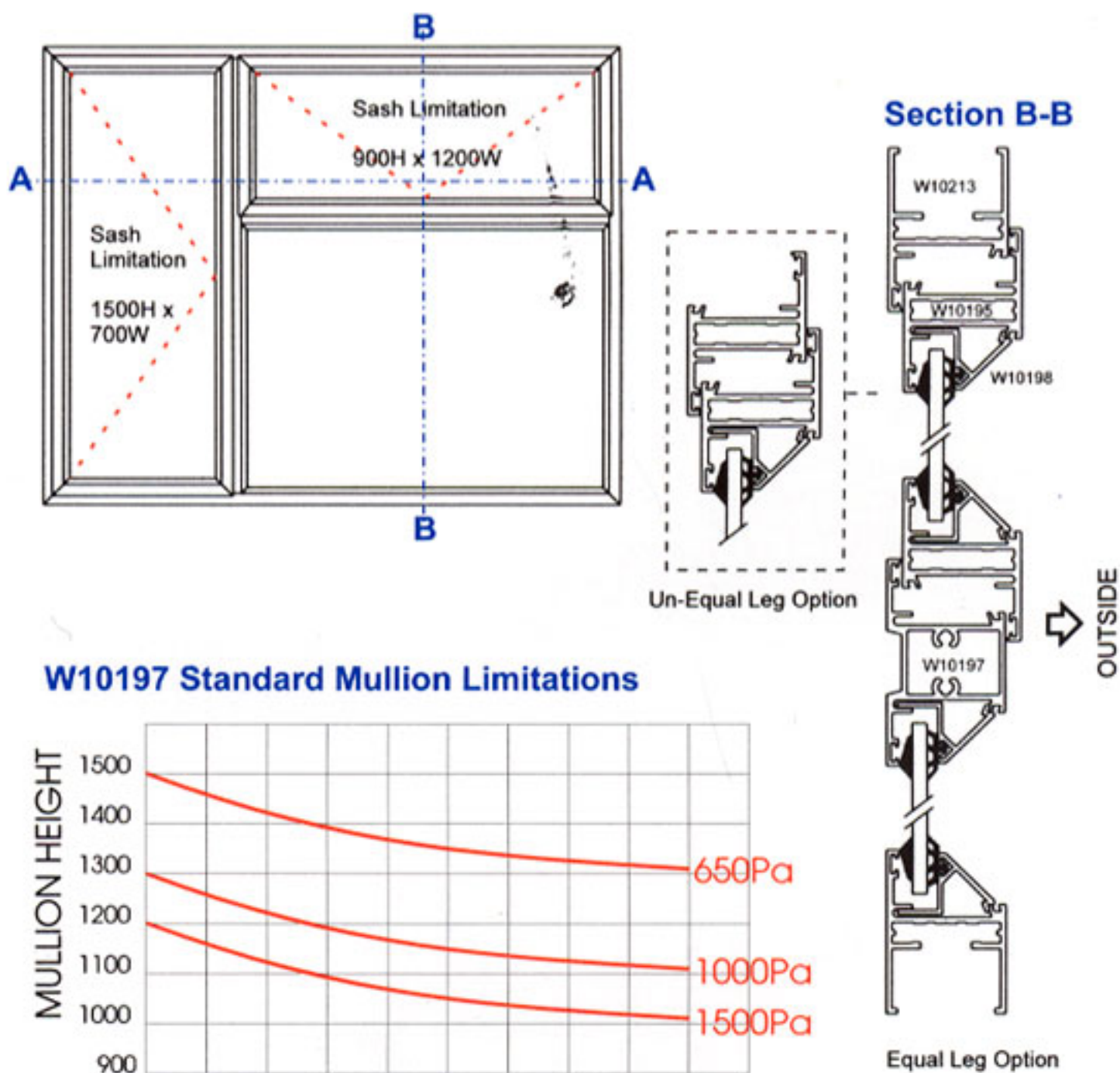


GLAZING BEAD OPTIONS

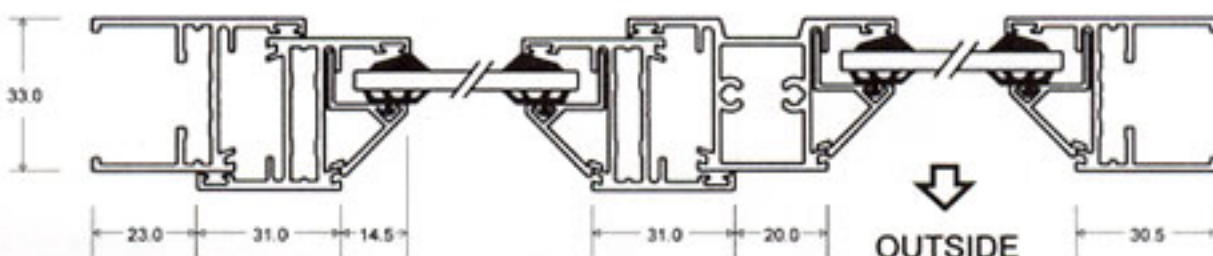
CORNER CLEAT



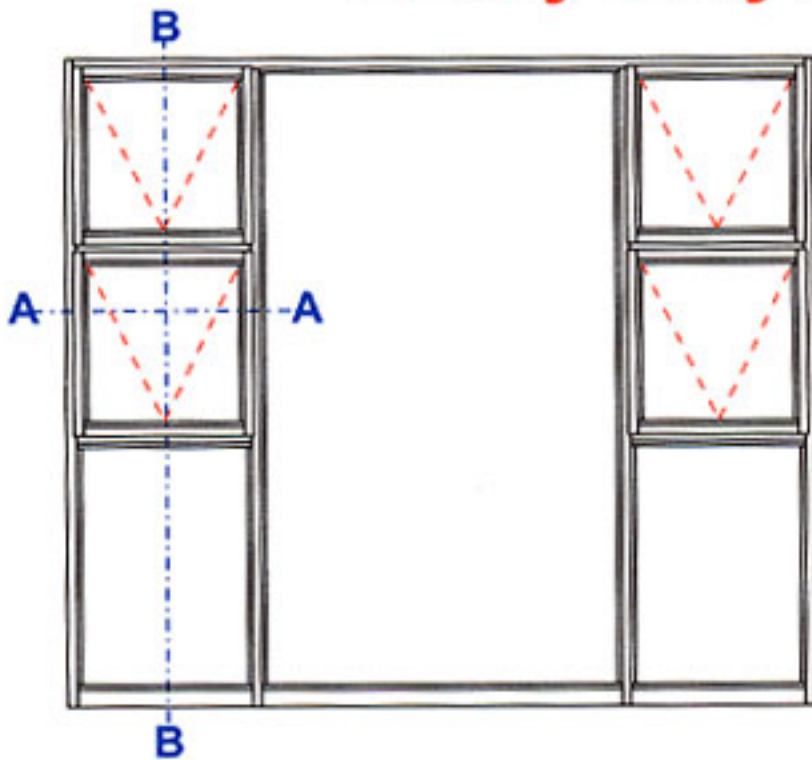
Assembly



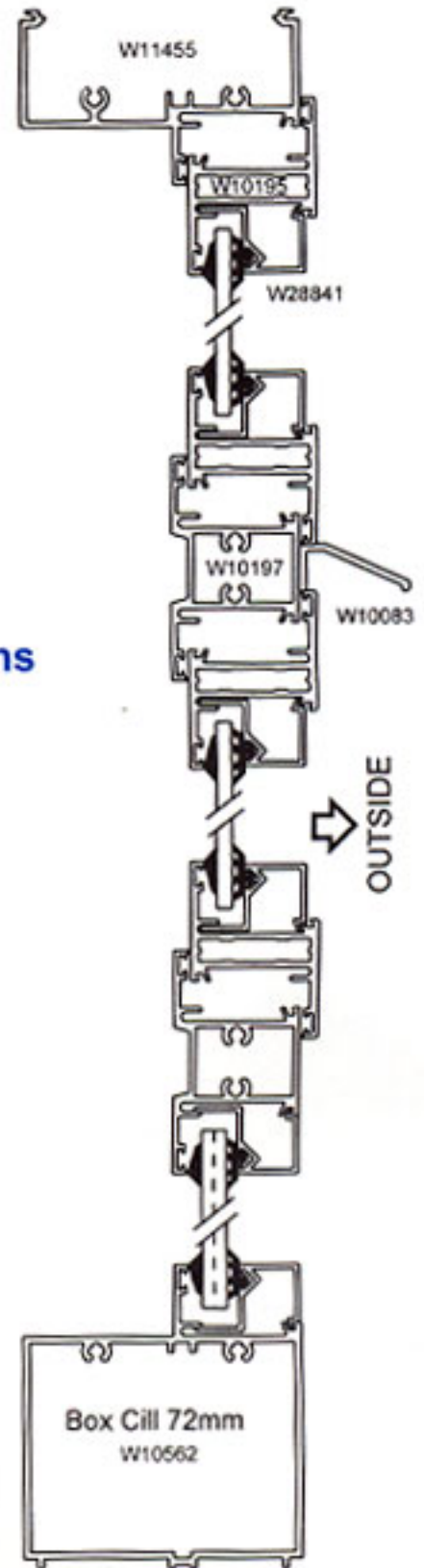
Section A-A



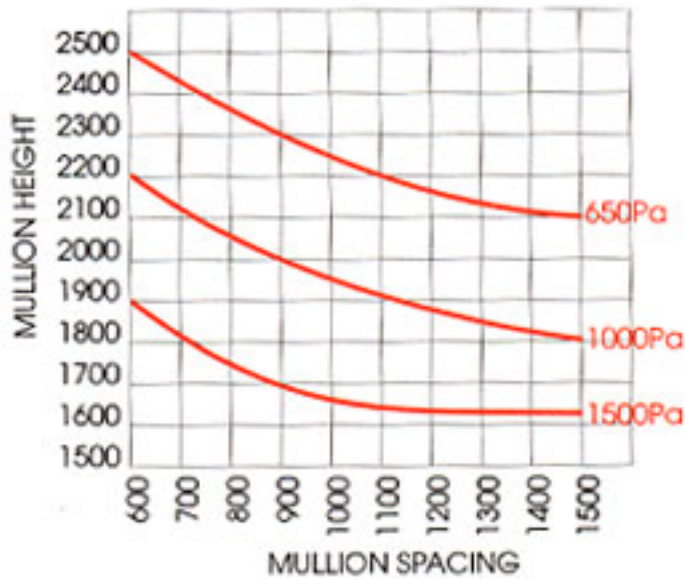
Heavy Duty Assembly



Section B-B



W10252 Heavy Duty Mullion Limitations



Section A-A

